

# DISCOVERER CLEAR LEADER

## ULTRA-DEEPWATER DUAL-ACTIVITY DRILLSHIP



### For additional information please contact:

Transocean  
Marketing Department  
1414 Enclave Parkway  
Houston, TX 77046, USA  
Phone: + 1-713-232-7500  
Fax: + 1-713-232-7880  
[marketing@deepwater.com](mailto:marketing@deepwater.com)  
[www.deepwater.com](http://www.deepwater.com)

### General Description

<b>Design / Generation</b>	Transocean Offshore Enhanced Enterprise Class
<b>Constructing Shipyard</b>	DSME
<b>Year Entered Service / Significant Upgrades</b>	2009
<b>Classification</b>	DNV, 1A1
<b>Flag</b>	Marshall Islands
<b>Dimensions</b>	835 ft. (254.5 m) x 125 ft. (38 m) x 62 ft. (19 m) Deep
<b>Drafts</b>	42 ft. (12.8 m) Operating
<b>Accommodation</b>	200 persons
<b>Displacement</b>	98,421 st (89,268 mt) operating
<b>Variable Deck</b>	22,046 st (19,999.7 mt) operating / 22,046 st (19,999.7 mt) transit
<b>Transit Speed</b>	up to 12 knots
<b>Maximum Water Depth</b>	12,000 ft.(3,657.6 m) designed / 10,000 ft.(3,048 m) Outfitted
<b>Maximum Drilling Depth</b>	40,000 ft (12,192 m)

### Drilling Equipment

<b>Derrick</b>	NOV Dual Activity derrick, 226 ft. (68.8 m) high, with 80 ft. (24.3) x 80 ft. (24.3 m) base.
<b>Hookload Capacity</b>	(Main) 1,250 st (1,134 m) capacity (Aux) 1,250 st (1,134 m) capacity
<b>Drawworks</b>	(Main): NOV Active Heave Drawworks with 6 x General Electric GEB-22A2 motors rated at 6,900 total hp. 1,050 st (952.5 mt) rated hook load with 2" drill line (Aux): NOV Active Heave Drawworks with 6 x General Electric GEB-22A2 motors rated at 6,900 total hp. 1,050 st (952.5 mt) rated hook load with 2" drill line
<b>Compensator</b>	(Main) active heave drawworks above (Aux) active heave drawworks above
<b>Rotary Table</b>	(Main) 1 x NOV 75-1/2" hydraulic (Aux) 1 x NOV 60-1/2" hydraulic
<b>Top Drive</b>	(Main) Maritime Hydraulics MDDM 1250-AC rated at 1,250 st (1,134 m) motor, and rated to 101,200 ft.-lbs. continuous drilling torque in low gear (Aux) Same as above
<b>Tubular Handling</b>	2 x NOV PRS-5 pipe racking system, and 2 x NOV AR 4500 Iron Roughnecks
<b>Mud Pumps</b>	5 x NOV HEX 240 pumps, each driven by 2 x Baylor traction motors
<b>HP Mud System</b>	Rated for 7,500 psi
<b>Solids Control</b>	10 x Brandt LCM-3D/CM-2 shale shakers

### Power & Machinery

<b>Main Power</b>	6 x MAN B&W V32/40 14 cylinder diesel engines rated at 7,000 kW, each driving 1 x LDW-Siemens generator
<b>Emergency Power</b>	1 x MAN B&W 7L27/38 diesel engine rated 2,310 kW, driving 1 x Hyundai 2,100 kW generator
<b>Power Distribution</b>	Siemens 11 kV switchboards with Siemens Blue Variable Speed generator protection

### Storage Capacities

<b>Fuel Oil</b>	36,000 bbl (5,723 m3)
<b>Liquid Mud</b>	20,000 bbl active (3,179.7 m3)
<b>Base Oil</b>	9,215 bbl (1,465 m3)
<b>Brine</b>	20,288 bbl (3,225 m3)
<b>Drill Water</b>	13,700 bbl (2,178 m3)
<b>Potable Water</b>	5,000 bbl (794 m3)
<b>Bulk Material</b>	(mud + cement) 32,000 cu.ft. (906 m3)
<b>Sack Storage</b>	16,000 sacks

### BOP & Subsea Equipment

<b>BOP Rams</b>	3 x Hydril 18-3/4" 15,000 psi Compact Double Ram Preventers (1 x 6-ram preventer)
<b>BOP Annulars</b>	1 x Hydril Annuflex 18-3/4" 10,000 psi annular preventer
<b>2<sup>nd</sup> BOP Stack</b>	1 x BOP stack with the same components as the primary stack listed above, including 1 x annular
<b>BOP Handling</b>	BOP skid system comprised of 3 x 350 st (317 mt) rated BOP carts; 2 sets of spider beams rated to 350 st (317 mt) per set
<b>Marine Riser</b>	Vetco HMF 21" OD x 75 ft (22.8 m). long per joint. Class G couplings and 2 x 4-1/2" 15,000 psi choke and kill lines
<b>Tensioners</b>	6 x Hydralift riser tensioners, rated at 400 st (362.8 mt) each with a 50 ft. (15.2 m) Stroke
<b>Diverter</b>	Vetco CSO with a 72" opening 500 psi diverter with 2 x 16" flow lines
<b>Tree Handling</b>	3 x 100 st (90.7 mt) Xmas tree trolley
<b>Moonpool</b>	72 ft. (21.9 m) length x 30 ft. (9.1 m) width.

### Station Keeping / Propulsion System

<b>Thrusters</b>	6 x Rolls Royce Aquamaster thrusters rated at 7,000 hp fully azimuthing
<b>DP System</b>	Kongsberg Maritime Triple Redundant SDP 32 system

### Cranes

<b>Cranes</b>	4 x MT Hydralift electro-hydraulic knuckle-boom cranes, rated to a 150 ft (45.7 m) lift radius
---------------	--

### Other Information

<b>Helideck</b>	Rated for Chinook 234 helicopters
-----------------	-----------------------------------

Revision Date: 12 July 2022

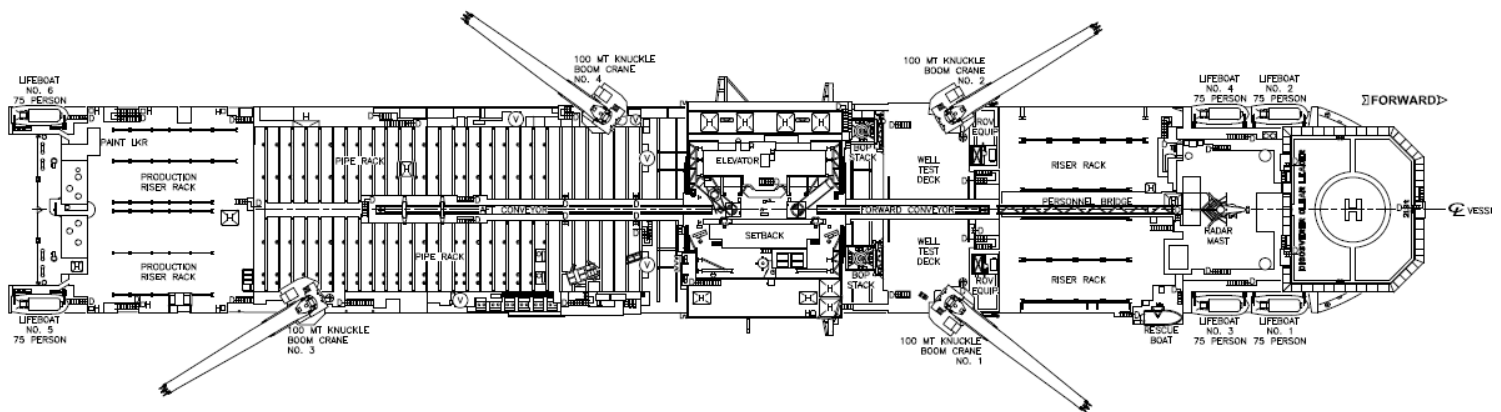
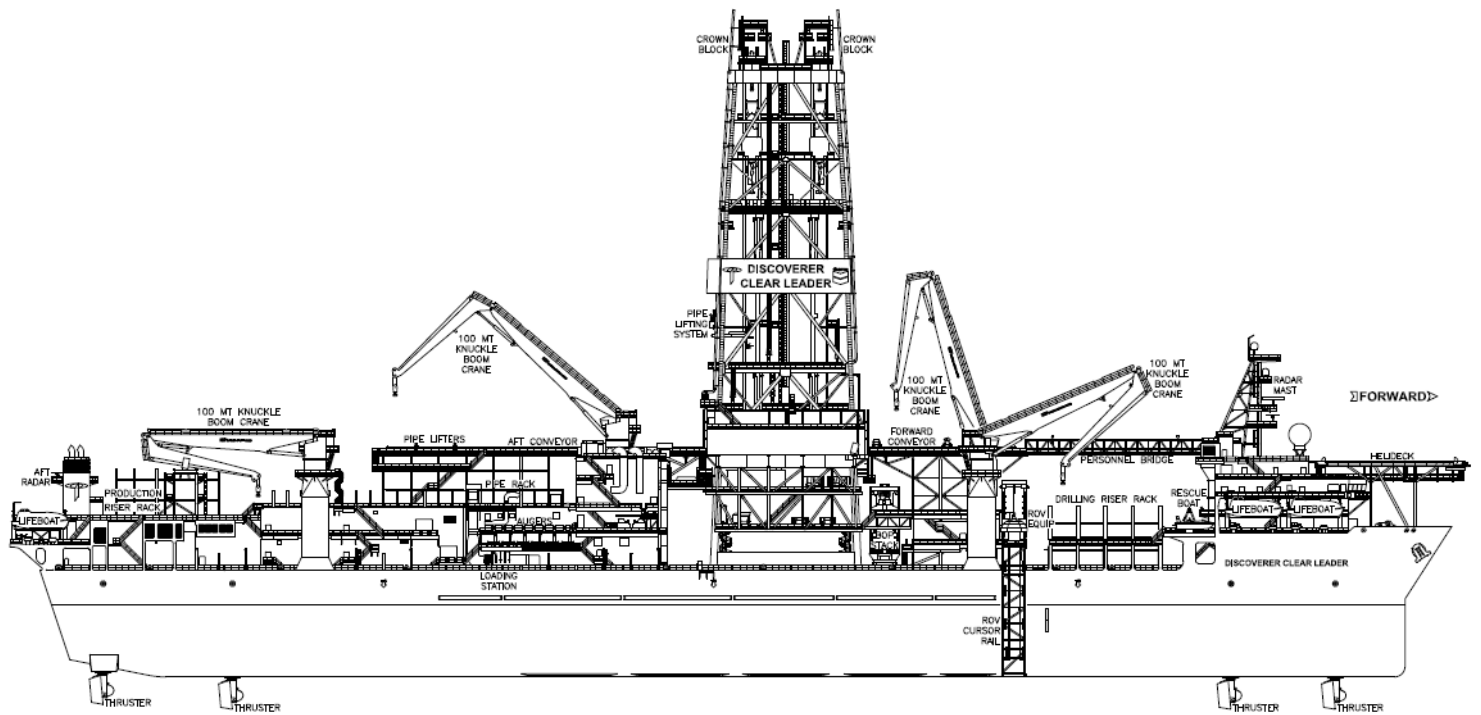


These specifications are intended for general reference purposes only, as actual equipment and specifications may vary based upon subsequent changes, the contract situation and customer needs. All equipment shall be operated and maintained at all times, in compliance with Transocean standard operating manuals, policies and procedures, and within its stated operational limits or continuous rated capacity, in order to assure maximum operational efficiency.

Patent Notice: This rig, its systems, components, and/or equipment in use on this rig, may be protected by one or more US and/or foreign patents.

# DISCOVERER CLEAR LEADER

ULTRA-DEEPWATER DUAL-ACTIVITY DRILLSHIP



# BOUNDLESS

Revision Date: 12 July 2022



**SERVICE FOCUSED  
DATA DRIVEN  
PERFORMANCE ORIENTED**

These specifications are intended for general reference purposes only, as actual equipment and specifications may vary based upon subsequent changes, the contract situation and customer needs. All equipment shall be operated and maintained at all times, in compliance with Transocean standard operating manuals, policies and procedures, and within its stated operational limits or continuous rated capacity, in order to assure maximum operational efficiency.

Patent Notice: This rig, its systems, components, and/or equipment in use on this rig, may be protected by one or more US and/or foreign patents.