

DISCOVERER LUANDA

ULTRA-DEEPWATER DUAL-ACTIVITY DRILLSHIP



For additional information please contact:

Transocean
Marketing Department
1414 Enclave Parkway
Houston, TX 77077, USA
Phone: + 1-713-232-7500
Fax: + 1-713-232-7880
marketing@deepwater.com
www.deepwater.com

General Description

Design / Generation	Transocean Enhanced Enterprise Class
Constructing Shipyard	DSME
Year Entered Service / Significant Upgrades	2010
Classification	DNV, +1A1
Flag	Marshall Islands
Dimensions	835 ft. (255 m) long x 125 ft. (38 m) wide x 62 ft. (19 m) Deep
Drafts	42.6 ft. (12.9 m) operating / 42 ft. (12.8 m) Transit
Accommodation	220 persons
Displacement	98,421 st (89,286 mt) operating
Variable Deck	22,046 st (19,999 mt) operating / 22,046 st (19,999 mt) transit
Transit Speed	up to 12 knots
Maximum Water Depth	12,000 ft. (3,657 m) designed / 7,500 ft. (2,286 m) Outfitted
Maximum Drilling Depth	30,000 ft (9,144 m)

Power & Machinery

Main Power	6 x MAN B&W V32/40 14 cylinder diesel engines rated at 7,000 kW; each driving 1 x 6,426 kVA LDW/Siemens S5E generator.
Emergency Power	1 x MAN B&W 7L27/38 diesel engine rated 2,310 kw each driving 1 x Hyundai 2,100 kW generator.
Power Distribution	Siemens 11kV switchboards with Siemens Blue variable speed generator protection.

Storage Capacities

Fuel Oil	36,000 bbl (5,723 m3)
Liquid Mud	20,000 bbl (3,179 m3) Active
Base Oil	9,215 bbl (1,465 m3)
Brine	20,288 bbl (3,225 m3)
Drill Water	13,700 bbl (2,178 m3)
Potable Water	5,000 bbl (795 m3)
Bulk Material	(mud + cement) 32,000 cu.ft. (906 m3)
Sack Storage	16,000 sacks

Drilling Equipment

Derrick	NOV Dual Activity derrick, 226 ft. (69 m) high, with 80 ft. (24 m) x 80 ft. (24 m) base.
Hookload Capacity	(Main) 1,250 st (1,134 mt) capacity (Aux) 1,250 st (1,134 mt) capacity
Drawworks	(Main) 1 x NOV AHC rated at 750 st (680 mt) and with 2" drilling lines. (Aux) 1 x NOV AHC rated at 500 st (453 mt) and with 2" drilling lines.
Compensator	(Main) Active Heave Drawworks above (Aux) Active Heave Drawworks above
Rotary Table	(Main) NOV 75-1/2" hydraulic with a maximum continuous torque rating of 45,000 ft-lbs, and a static load capacity of 1,375 st (1,247 mt). (Aux) NOV RST 60.5" opening and a rated capacity of 1,000 st (907 mt); and a maximum continuous torque of 45,000 ft-lbs.
Top Drive	(Main) Maritime Hydraulics MDDM 1000, rated to 1,000 st (907 mt) and 62,900 ft.-lbs. of continuous drilling torque in low gear. (Aux) Same as above
Tubular Handling	2 x PRS-5 pipe racking system, 2x NOV AR 4500 Iron Roughnecks, 3-1/2" to 9-3/4" tubulars.
Mud Pumps	3 x NOV 14-p-220 TRIPLEX pumps, each driven by 2 x NOV AC CM628TUT traction motors.
HP Mud System	Rated for 7,500 psi
Solids Control	6 x Axiom AX-1 triple deck shale shakers

BOP & Subsea Equipment

BOP Rams	3 x Hydril 18-3/4" 15,000 psi Compact Double Ram Preventers (1 x 6-ram preventer)
BOP Annulars	1 x Hydril 18-3/4" 10,000 psi Annuflex annular preventer.
BOP Handling	Skid system comprised of 3 x 350 st (318 mt) BOP carts and 2 sets of spider beams rated to 350 st (318 mt) per set.
Marine Riser	Vetco HMF 21" OD x 75 ft (22.8 m) long with 15,000 psi chokes and kill lines.
Tensioners	6 x Hydralift tensioners rated at 400 st (363 mt) each, and a 50 ft. (15 m) stroke.
Diverter	Vetco CSO diverter with a 72" bore 500 psi and 2 x 16" flow lines
Tree Handling	3 x 100 st (90.7 mt) Xmas Tree/Auxiliary carts
Moonpool	72 ft (22 m). length x 30 ft (9 m). width.

Station Keeping / Propulsion System

Thrusters	6 x Rolls Royce Aquamaster 7,000 hp fully azimuthing.
DP System	Kongsberg-Simrad / Triple-redundant

Cranes

Cranes	4 x NOV Pedestal OC 4000KCE Electrohydraulic cranes rated to 110 st (100 mt) at an 86 ft (26.2 m) radius
AHC Subsea Crane	1 x 182 st (165 mt) Hydralift Active Heave Compensated crane with a subsea capacity of 132 st (120 mt) at 7,874 ft (2,400 m).

Other Information

Helideck	Rated for Chinook 234 helicopters
----------	-----------------------------------

Revision Date: 14 July 2022

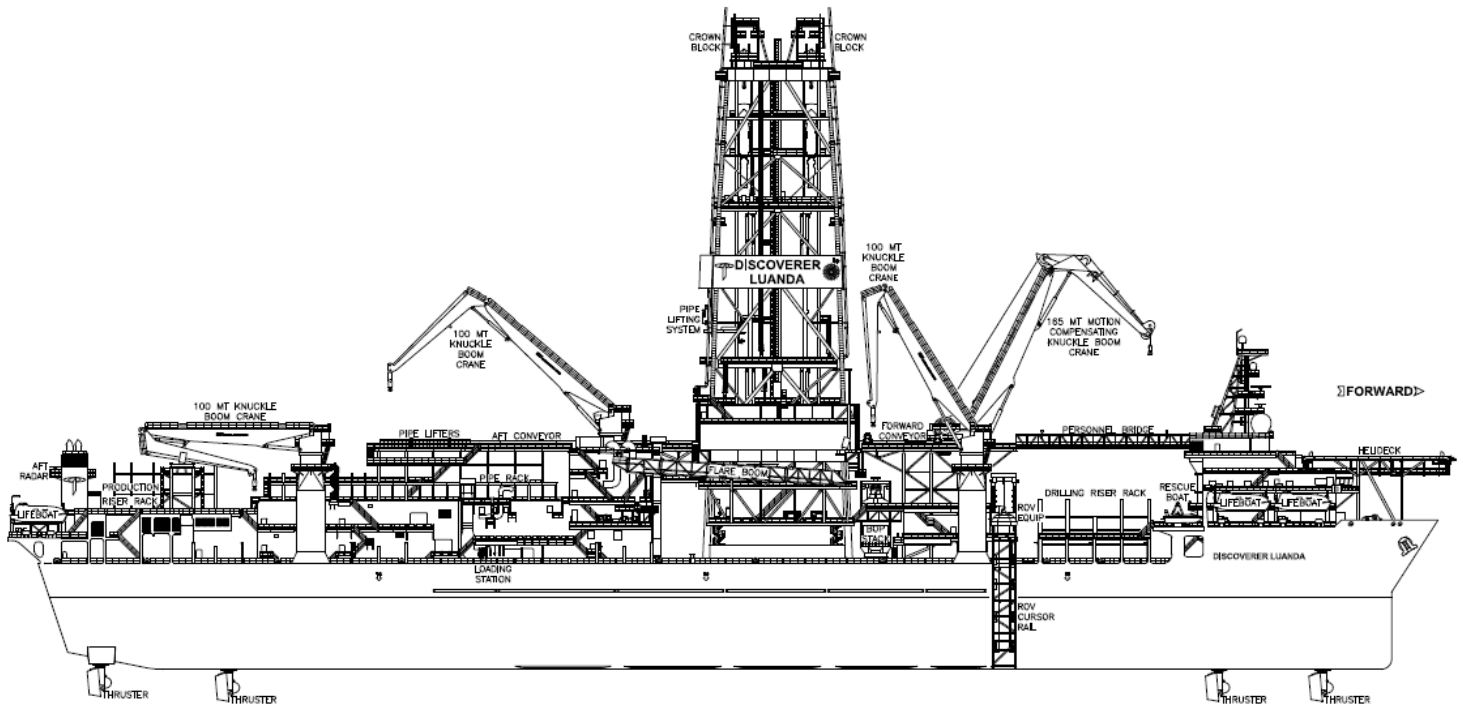
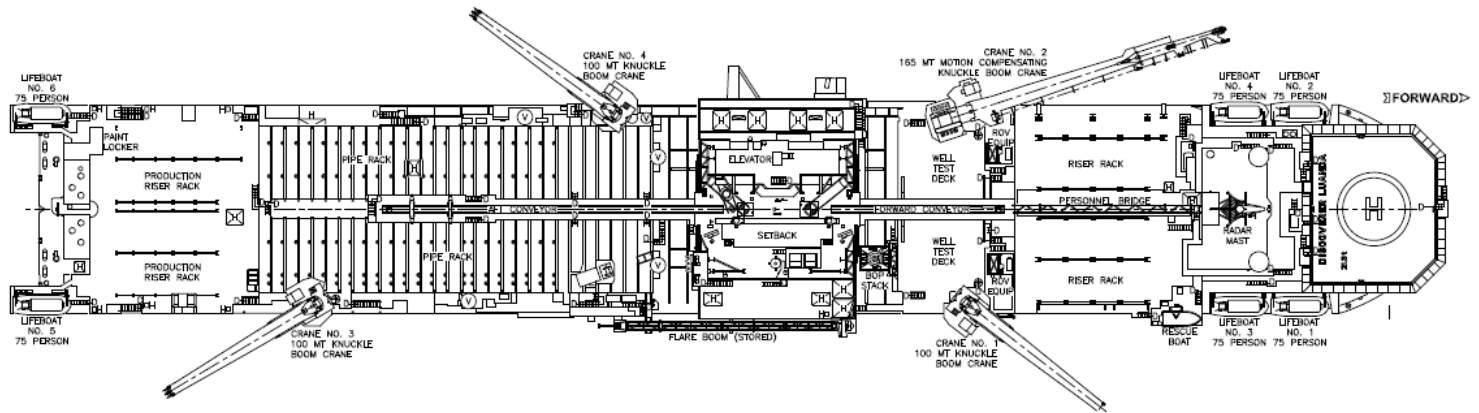


These specifications are intended for general reference purposes only, as actual equipment and specifications may vary based upon subsequent changes, the contract situation and customer needs. All equipment shall be operated and maintained at all times, in compliance with Transocean standard operating manuals, policies and procedures, and within its stated operational limits or continuous rated capacity, in order to assure maximum operational efficiency.

Patent Notice: This rig, its systems, components, and/or equipment in use on this rig, may be protected by one or more US and/or foreign patents.

DISCOVERER LUANDA

ULTRA-DEEPWATER DUAL-ACTIVITY DRILLSHIP



BOUNDLESS

Revision Date: 14 July 2022



SERVICE FOCUSED
DATA DRIVEN
PERFORMANCE ORIENTED

These specifications are intended for general reference purposes only, as actual equipment and specifications may vary based upon subsequent changes, the contract situation and customer needs. All equipment shall be operated and maintained at all times, in compliance with Transocean standard operating manuals, policies and procedures, and within its stated operational limits or continuous rated capacity, in order to assure maximum operational efficiency.

Patent Notice: This rig, its systems, components, and/or equipment in use on this rig, may be protected by one or more US and/or foreign patents.